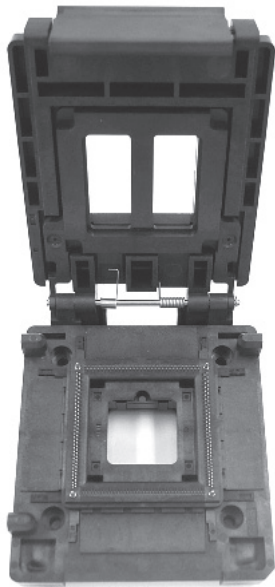
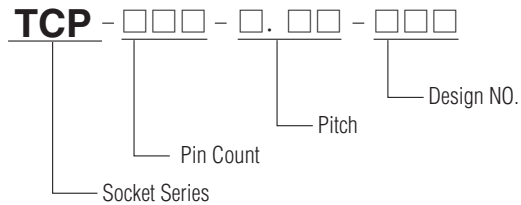


# TCP

## TAPE CARRIER PACKAGE



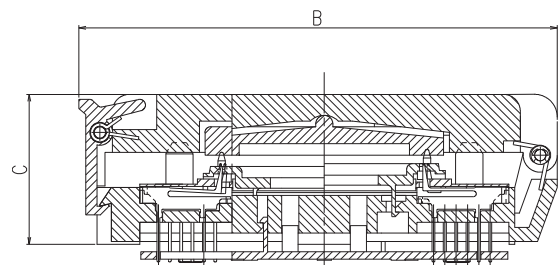
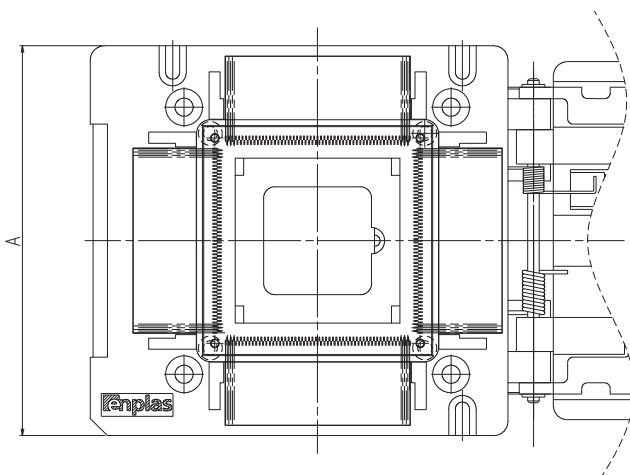
### ORDERING PROCEDURE



Specification / 仕様	
Contact resistance (Initial) 接触抵抗 (初期値)	100mΩ (At 10 mA)
Maximum voltage 耐電圧	AC700V RMS (for 1 minute) Below 0.5mm Pitch AC500V RMS (for 1 minute)
Insulation resistance 絶縁抵抗	1,000MΩ or higher (AC DC 500V)
Rated current 許容電流値	1A
Operating temperature range 仕様温度	-65°C ~ +150°C
Terminal strength against pulling 端子抜け強度	0.5kg (1 min)
Insertion 機械寿命	Min. 10,000 times (mechanical)
MATERIAL / 材質	
Body 本体	PEI, PES
Contact コンタクトピン	BeCu, Au plating (Ni-base)

※RoHS compliant

## APPLICABLE IC DIMENSIONS & SOCKET DIMENSIONS



# Applicable IC/TCP

## CLAM SHELL TYPE SOCKET

Unit: mm (in.)

PART NO.	PIN COUNT	PITCH	OUTSIDE DIMENSIONS			REMARKS
			A	B	C	
TCP-159-0.2-01	159	0.2	40	70.5	15.8	48mm TAB
TCP4-436-0.3-001	436	0.3	55.9	68.6	26.4	48mm TAB
TCP3-244-0.4-01	244	0.4	58	50	20.5	35mm TAB
TCP4-324-0.4-01	324	0.4	55.85	63	25.6	48mm TAB