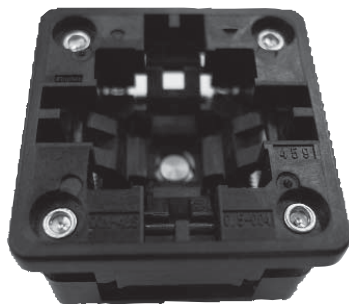


OQN

QUAD FINE PITCH NO LEAD

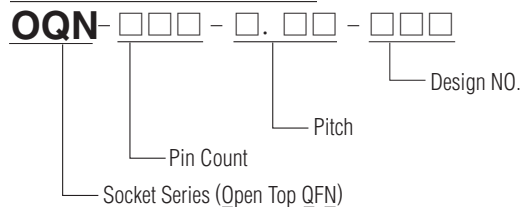


Type B: "B" stands for "Burn-in"

Type BT: "T" stands for "Thermal" (socket with Ground Pin type).

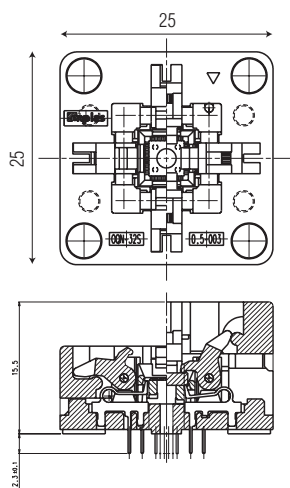
※RoHS compliant

ORDERING PROCEDURE

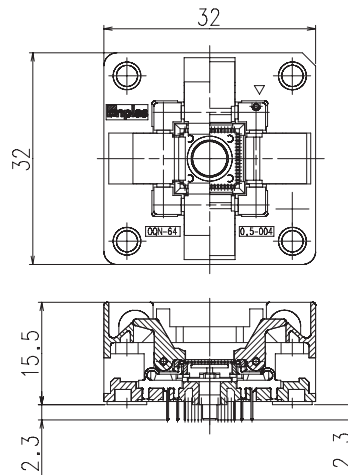


Specification / 仕様	
Contact resistance (Initial) 接触抵抗 (初期値)	50mΩ or less (At 10 mA)
Maximum voltage 耐電圧	AC500V RMS (for 1 minute)
Insulation resistance 絶縁抵抗	Min. 1,000mΩ or higher (At DC 500V)
Rated current 許容電流値	1A
Operating temperature range 仕様温度	-65°C ~ +150°C
Terminal strength against pulling 端子抜け強度	0.5kg (1 min)
Insertion 機械寿命	Min. 10,000 cycle (Mechanical)
MATERIAL / 材質	
Body 本体	PEI, PES
Contact コンタクトピン	BeCu, Au plating (Ni-base)

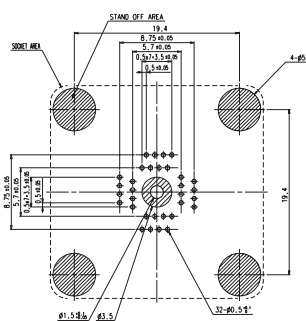
APPLICABLE IC DIMENSIONS & SOCKET DIMENSIONS



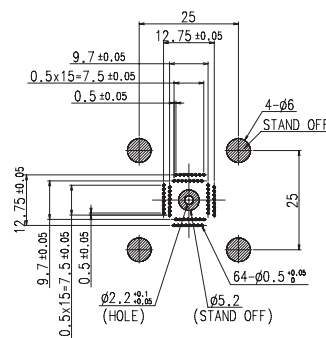
OQN-32GS-0.5-002



OQN-64GS-0.5-004



PCB PATTERN (TOP VIEW)



PCB PATTERN (TOP VIEW)

Application IC/QFN B/BT TYPE SOCKET

OQN Socket Line up 0.5mm Pitch Series

Unit: mm

PART NO.	PIN COUNT	A	B	Type	REMARKS
OQN-32S-0.5- * *	32	5	5	S	
OQN-32GS-0.5-002				GS	
OQN-36S-0.5- * *	36	6	6	S	
OQN-36GS-0.5-002				GS	
OQN-40S-0.5-001	40	6	6	S	
OQN-40GS-0.5-001				GS	
OQN-48S-0.5-004	48	7	7	S	
OQN-48GS-0.5-004				GS	
OQN-64B-0.5- * *	64	9	9	B	
OQN-64BT-0.5-004				BT	

Type B: Without Ground Pin
 Type BT: Ground Pin
 Type S: Shrink type without Ground Pin
 Type GS: Shrink type with Ground Pin

OQN Socket Line up 0.65mm Pitch Series

Unit: mm

PART NO.	PIN COUNT	A	B	Type	REMARKS
OQN-44B-0.65- * *	44	9	9	B	
OQN-44BT-0.65-02				BT	

Type B: Without Ground Pin
 Type BT: Without Ground Pin