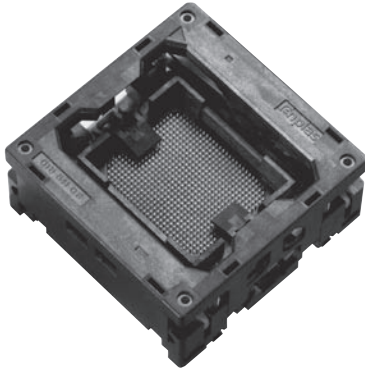
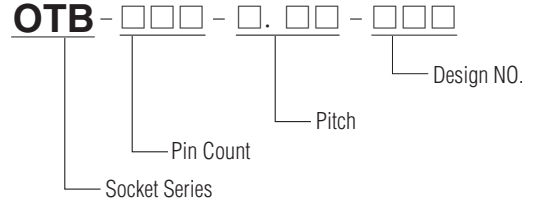


FBGA

BALL GRID ARRAY



ORDERING PROCEDURE

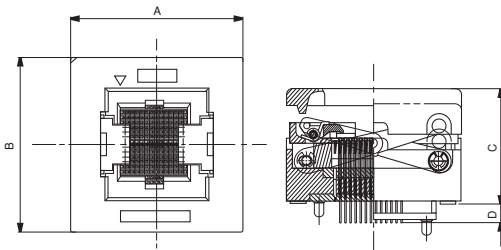


Specification / 仕様	
Contact resistance (Initial) 接触抵抗 (初期値)	50mΩ (At 10 mA) INITIAL
Maximum voltage 耐電圧	AC700V RMS (for 1 minute)
Insulation resistance 絶縁抵抗	1,000 MΩ or higher (At DC 500V)
Rated current 許容電流値	1A
Operating temperature range 仕様温度	-65°C ~ +150°C
Terminal strength against pulling 端子抜け強度	0.5Kg (1 min)
Insertion 機械寿命	Min 10,000 times (mechanical)

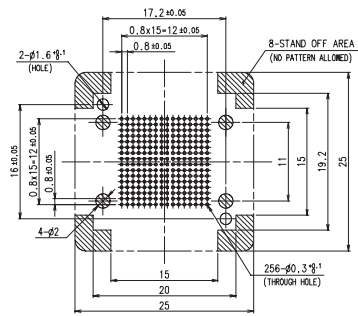
MATERIAL / 材質	
Body 本体	PEI, PES
Contact コンタクトピン	BeCu, Au plating (Ni-base)

※RoHS compliant

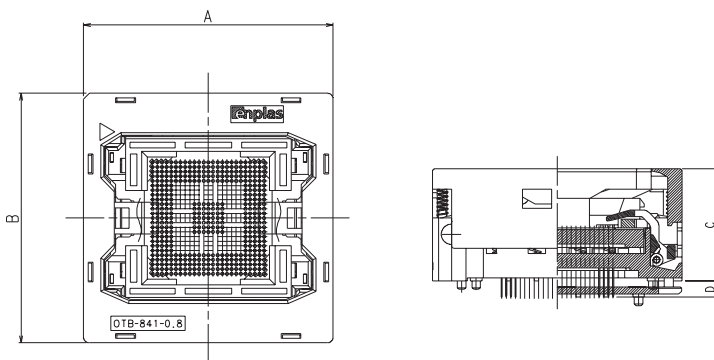
APPLICABLE IC DIMENSIONS & SOCKET DIMENSIONS



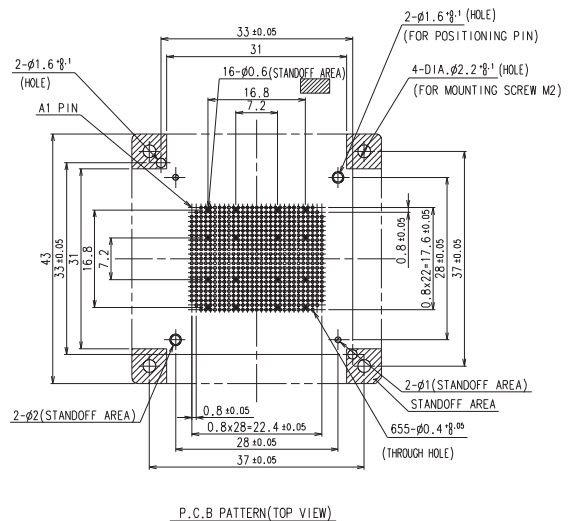
OTB-144-0.8 Series



OTB-256-0.8 Series



OTB-841-0.8 Series



Applicable IC/FBGA

OPEN TOP TYPE SOCKET

OTB-108 SERIES (1.0×0.8mm PITCH)

PART NO.	APPLICABLE IC DIMENSIONS (REF.)					OUTSIDE DIMENSIONS (REF.)				REMARKS
	BODY SIZE	GRID	ROW/ARRAY	LEADS NUMBER	PITCH	A	B	C	D	
OTB-43(108)-1.0×0.8-03	8×12	12×9	Depopulated	43	0.8	23	18.5	17.1	2.8	DDR
OTB-60(108)-1.0×0.8-01	8×12	12×9	Depopulated	60						DDR

-Depopulated version available.

OTB-144 SERIES (0.8mm PITCH)

PART NO.	APPLICABLE IC DIMENSIONS (REF.)					OUTSIDE DIMENSIONS (REF.)				REMARKS
	BODY SIZE	GRID	ROW/ARRAY	LEADS NUMBER	PITCH	A	B	C	D	
OTB-25(144)-0.8-08	5×5	5×5	Fully Array	25	0.8	22	22	17.8	2.7	GTHP
OTB-36(144)-0.8-04	6×6	6×6	Fully Array	36						GTHP
OTB-48(144)-0.8-11	7×7	7×7	Depopulated	48						GTHP
OTB-64(144)-0.8-02	8×8	8×8	Fully Array	64						GTHP
OTB-64(144)-0.8-17	9×9	10×10	Depopulated	64						GTHP
OTB-80(144)-0.8-02	8×8	9×9	Fully Array	80						GTHP
OTB-80(144)-0.8-10	9×9	10×10	Depopulated	80						GTHP
OTB-100(144)-0.8-01	10×10	10×10	Fully Array	100						GTHP
OTB-128(144)-0.8-03	11×11	12×12	P.4 ROW	128						GTHP
OTB-144-0.8-06	10×10	12×12	Fully Array	144						GTHP

OTB-192 SERIES (0.8mm PITCH)

PART NO.	APPLICABLE IC DIMENSIONS (REF.)					OUTSIDE DIMENSIONS (REF.)				REMARKS
	BODY SIZE	GRID	ROW/ARRAY	LEADS NUMBER	PITCH	A	B	C	D	
OTB-49(192)-0.8-16	10×10.5	9×15	Depopulated	49	0.8	24	20	17.1	1.9	DDR
	10×12.5	9×15	Depopulated	49						DDR
	10.5×11.5	9×15	Depopulated	49						DDR
OTB-60(192)-0.8-18	10.5×10.5	9×10	Depopulated	60						DDR
OTB-87(192)-0.8-13	11×11	12×12	Depopulated	87						DDR
OTB-144(192)-0.8-13	11×11	12×12	Fully Array	144						DDR

Applicable IC/FBGA

OPEN TOP TYPE SOCKET

OTB-256 SERIES (0.8mm PITCH)

PART NO.	APPLICABLE IC DIMENSIONS (REF.)					OUTSIDE DIMENSIONS (REF.)				REMARKS
	BODY SIZE	GRID	ROW/ARRAY	LEADS NUMBER	PITCH	A	B	C	D	
OTB-81(256)-0.8-*	9×9	9×9	Fully Array	81	0.8	25	25	17.1	1.9	
OTB-100(256)-0.8-65	9×9	10×10	Fully Array	100					1.9	
OTB-121(256)-0.8-53	10×10	11×11	Fully Array	121					1.9	
OTB-142(256)-0.8-51	10×10	12×12	Depopulated	142					1.9	
OTB-169(256)-0.8-56	11×11	13×13	Fully Array	169					1.9	
OTB-144(256)-0.8-50	12×12	12×12	Fully Array	144					1.9	
OTB-144(256)-0.8-52	12×12	13×13	Depopulated	144					1.9	
OTB-196(256)-0.8-50	12×12	14×14	Depopulated	196					2.8	
OTB-225(256)-0.8-54	13×13	15×15	Fully Array	225					2.8	
OTB-256-0.8-64	13×13	16×16	Fully Array	256					1.9	
OTB-256-0.8-46	14×14	16×16	Fully Array	256					1.9	

Shrink OTB-484R SERIES (0.8mm PITCH)

PART NO.	APPLICABLE IC DIMENSIONS (REF.)					OUTSIDE DIMENSIONS (REF.)				REMARKS
	BODY SIZE	GRID	ROW/ARRAY	LEADS NUMBER	PITCH	A	B	C	D	
OTB-144(484R)-0.8-001	10×10	12×12	Fully Array	144	0.8	32	32	19.4	2.8	
OTB-292(484R)-0.8-*	17×17	20×20	Depopulated	292						

OTB-841 SERIES (0.8mm PITCH)

PART NO.	APPLICABLE IC DIMENSIONS (REF.)					OUTSIDE DIMENSIONS (REF.)				REMARKS
	BODY SIZE	GRID	ROW/ARRAY	LEADS NUMBER	PITCH	A	B	C	D	
OTB-289(841)-0.8-18	14×14	17×17	Fully Array	289	0.8	43	43	19.3	2.8	
OTB-264(841)-0.8-15	15×15	17×17	Depopulated	264						
OTB-287(841)-0.8-16	15×15	18×18	Depopulated	287						
OTB-288(841)-0.8-23	16×16	19×19	Depopulated	288						
OTB-329(841)-0.8-20	17×17	19×19	Depopulated	329						
OTB-256(841)-0.8-05	17×17	20×20	Depopulated	256						
OTB-361(841)-0.8-*	18×18	19×19	Fully Array	361						
OTB-400(841)-0.8-*	18×18	20×20	Fully Array	400						
OTB-484(841)-0.8-040	18×18	22×22	Fully Array	484						
OTB-441(841)-0.8-039	19×19	21×21	Fully Array	441						
OTB-436(841)-0.8-03	19×19	22×22	Depopulated	436						
OTB-361(841)-0.8-14	19×19	23×23	Depopulated	361						
OTB-529(841)-0.8-*	20×20	23×23	Fully Array	529						
OTB-484(841)-0.8-*	20×20	22×22	Fully Array	484						
OTB-449(841)-0.8-02	21×21	25×25	Depopulated	449						
OTB-576(841)-0.8-*	21×21	24×24	Fully Array	576						
OTB-625(841)-0.8-*	22×22	25×25	Fully Array	625						
OTB-576(841)-0.8-*	22×22	24×24	Depopulated	576						
OTB-520(841)-0.8-06	23×23	27×27	Depopulated	520						
OTB-533(841)-0.8-06	23×23	27×27	Fully Array	533						
OTB-548(841)-0.8-04	23×23	26×26	Depopulated	548						
OTB-620(841)-0.8-*	24×24	27×27	Depopulated	620						
OTB-620(841)-0.8-*	24×24	28×28	Depopulated	620						
OTB-655(841)-0.8-01	24.5×19.5	29×23	Depopulated	655						

-GTHP: Gas Tight High Pressure