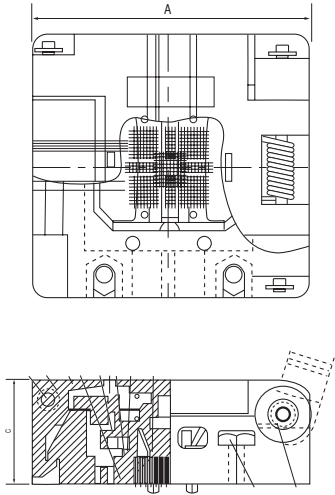
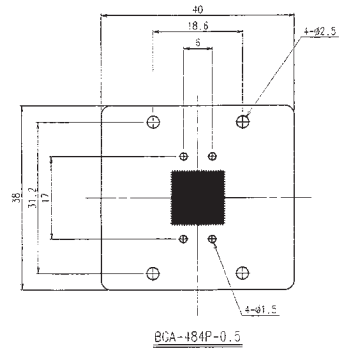
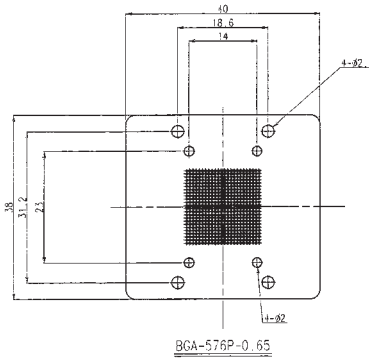


Applicable IC/BGA • LGA Clam Shell Surface Mount Type Socket



PCB PATTERN

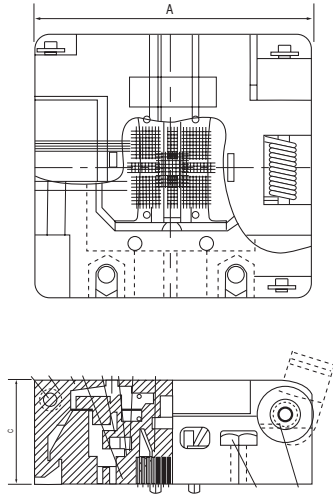


BGA-484P SERIES (0.5mm PITCH)

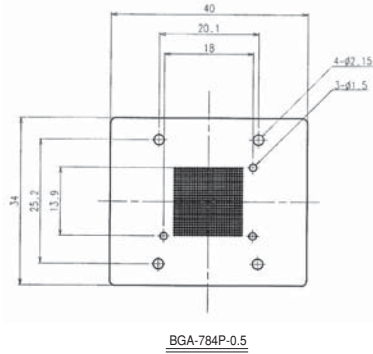
Unit : mm

PART NO.	APPLICABLE IC DIMENSIONS (REF.)					OUTSIDE DIMENSIONS (REF.)			REMARKS
	BODY SIZE	GRID	ROW/ARRAY	LEADS NUMBER	PITCH	A	B	C	
BGA-48(484P)-0.5-32	4×4	7	Depopulated	48	0.5	40	38	15	
BGA-48(484P)-0.5-01	5×5	8	Depopulated	48					
BGA-57(484P)-0.5-14	5×5	9	Depopulated	57					
BGA-89(484P)-0.5-11	6×6	10	Depopulated	89					
BGA-96(484P)-0.5-26	6×6	11	Depopulated	96					
BGA-144(484P)-0.5-07	7×7	12	Depopulated	144					
BGA-144(484P)-0.5-20	7×7	13	Depopulated	144					
BGA-132-(484P)-0.5-36	8×8	14	Depopulated	132					
BGA-161(484P)-0.5-40	8×8	15	Depopulated	161					
BGA-156(484P)-0.5-19	9×9	17	Depopulated	156					
BGA-277(484P)-0.5-08	10×10	18	Depopulated	277					
BGA-240(484P)-0.5-10	10×10	19	Depopulated	240					
BGA-223(484P)-0.5-13	11×11	20	Depopulated	223					
BGA-256(484P)-0.5-44	11×11	21	Depopulated	256					
BGA-244(484P)-0.5-04	12×12	21	Depopulated	244					

-Max. 12×12mm Package can be accommodated



PCB PATTERN



BGA-784P SERIES (0.5mm PITCH)

Unit : mm

PART NO.	APPLICABLE IC DIMENSIONS (REF.)					OUTSIDE DIMENSIONS (REF.)			REMARKS
	BODY SIZE	GRID	ROW/ARRAY	LEADS NUMBER	PITCH	A	B	C	
BGA-64(784P)-0.5-30	5×5	8	Fully Array	64	0.5	40	34	20	
BGA-81(784P)-0.5-088	5×5	9	Fully Array	81					
BGA-73(784P)-0.5-55	6×6	9	Depopulated	73					
BGA-100(784P)-0.5-56	6×6	10	Fully Array	100					
BGA-128(784P)-0.5-19	7×7	12	Depopulated	128					
BGA-137(784P)-0.5-182	7×7	13	Depopulated	137					
BGA-132(784P)-0.5-50	8×8	14	Depopulated	132					
BGA-193(784P)-0.5-086	8×8	15	Depopulated	193					
BGA-255(784P)-0.5-093	9×9	16	Depopulated	255					
BGA-284(784P)-0.5-37	10×10	18	Depopulated	284					
BGA-361(784P)-0.5-091	10×10	19	Depopulated	361					
BGA-280(784P)-0.5-51	11×11	20	Depopulated	280					
BGA-328(784P)-0.5-74	11×11	21	Depopulated	328					
BGA-483(784P)-0.5-49	12×12	22	Depopulated	483					
BGA-433(784P)-0.5-68	12×12	23	Depopulated	433					
BGA-361(784P)-0.5-08	13×13	24	Depopulated	361					
BGA-517(784P)-0.5-63	13×13	25	Depopulated	517					
BGA-287(784P)-0.5-04	14×14	26	Depopulated	287					
BGA-440(784P)-0.5-*	14×14	27	Depopulated	440					
BGA-440(784P)-0.5-092	15×15	27	Depopulated	440					
BGA-385(784P)-0.5-06	15×15	28	Depopulated	385					
							38	15	

-Max.16×16mm Package can be accommodated

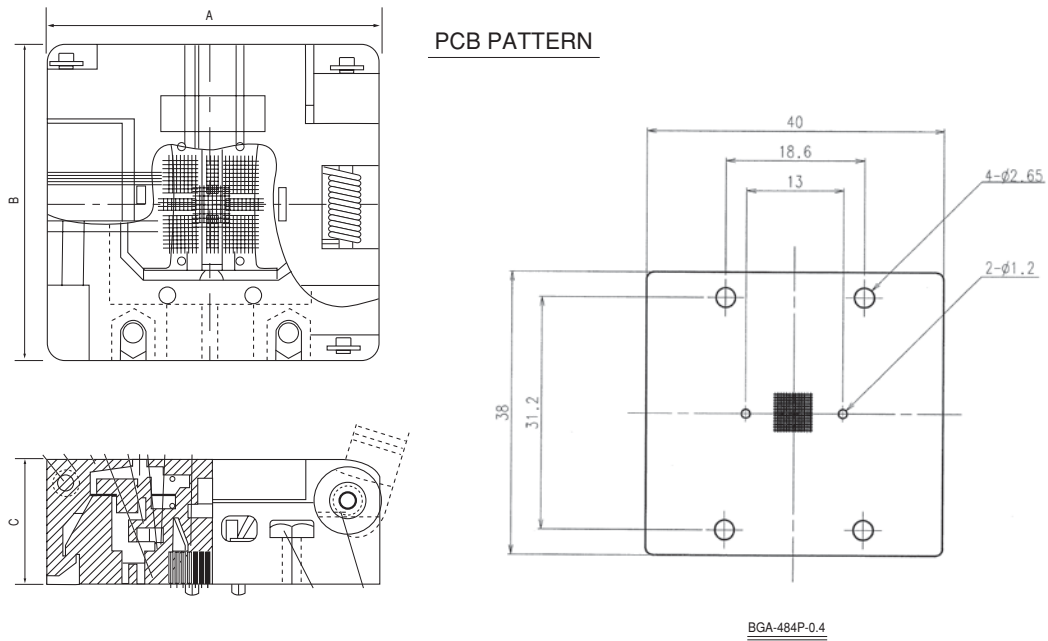
BGA-784BP SERIES (0.5mm PITCH) — Bypass Type —

Unit : mm

PART NO.	APPLICABLE IC DIMENSIONS (REF.)					OUTSIDE DIMENSIONS (REF.)			REMARKS
	BODY SIZE	GRID	ROW/ARRAY	LEADS NUMBER	PITCH	A	B	C	
BGA-81(784BP)-0.5-004	5×5	9×9	Fully Array	81	0.5	40	34	20.1	
BGA-121(784BP)-0.5-02	6×6	11×11	Fully Array	121					
BGA-137(784BP)-0.5-017	7×7	13×13	Depopulated	137					
BGA-280(784BP)-0.5-002	11×11	20×20	Depopulated	280					
BGA-364(784BP)-0.5-012	12×12	23×23	Depopulated	364					

Applicable IC/BGA · LGA

Clam Shell Surface Mount Type Socket



BGA-484P SERIES (0.4mm PITCH)

Unit : mm

PART NO.	APPLICABLE IC DIMENSIONS (REF.)					OUTSIDE DIMENSIONS (REF.)			REMARKS
	BODY SIZE	GRID	ROW/ARRAY	LEADS NUMBER	PITCH	A	B	C	
BGA-25(484P)-0.4-03	3×3	5	Fully Aray	25	0.4	40	34	19.5	
BGA-32(484P)-0.4-065	3×3	6	Depopulated	32					
BGA-64(484P)-0.4-031	4×4	8	Depopulated	64					
BGA-81(484P)-0.4-041	4×4	9	Fully Aray	64					
BGA-97(484P)-0.4-026	5×5	11	Depopulated	97					
BGA-132(484P)-0.4-039	6×6	12	Depopulated	132					
BGA-145(484P)-0.4-04	6×6	13	Depopulated	145					
BGA-176(484P)-0.4-073	7×7	15	Depopulated	176					

-Max.10×10mm Package can be accommodated

BGA-484BP SERIES (0.4mm PITCH) — Bypass Type —

Unit : mm

PART NO.	APPLICABLE IC DIMENSIONS (REF.)					OUTSIDE DIMENSIONS (REF.)			REMARKS
	BODY SIZE	GRID	ROW/ARRAY	LEADS NUMBER	PITCH	A	B	C	
BGA-141(484BP)-0.4- * *	6×6	13	Depopulated	141	0.4	40	34	19.9	