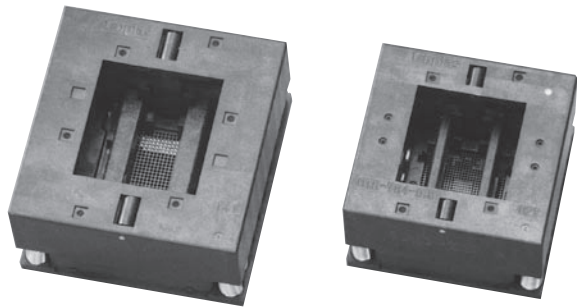


BGA/LGA

BALL/LAND GRID ARRAY



※RoHS compliant

ORDERING PROCEDURE

OTB/OTL - PG - . -

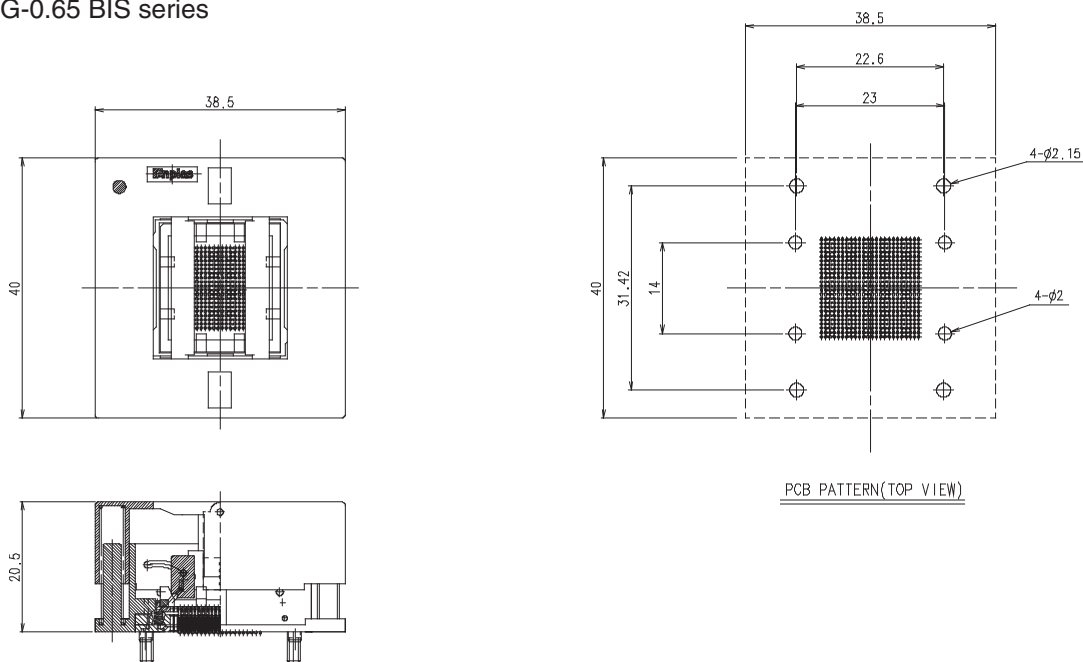
Socket Series Pin Count Pitch Design NO.

Specification / 仕様	PS	APS (Preliminary)	BPS	
Contact resistance 接触抵抗 (初期値) (at initial, at 10mA)	500mΩ	250mΩ	200mΩ	
Maximum voltage 耐電圧	AC300V RMS (for 1 minute)			
Insulation resistance 絶縁抵抗 at DC 500V	1,000 MΩ or higher			
Rated current 許容電流値	Spec	0.2A	0.5A	0.85A
	Measured	0.4A	1.0A	1.7A
Insertion 機械寿命	Min 10,000 times (Mechanical)			

MATERIAL / 材質	
Body 本体	PEI, PES
Contact コンタクトピン	BeCu, Au plating (Ni-base)

APPLICABLE IC DIMENSIONS & SOCKET DIMENSIONS

OTB-576PG-0.65 BIS series



OTB-576PG SERIES (0.65mm PITCH)

Unit : mm

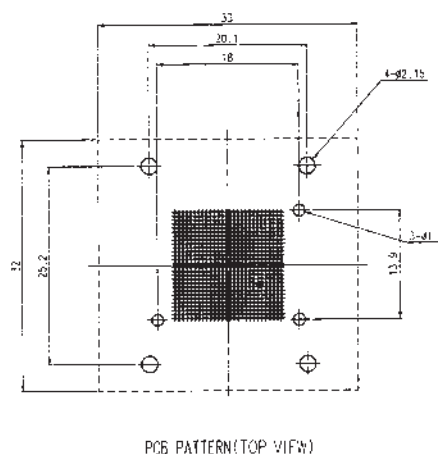
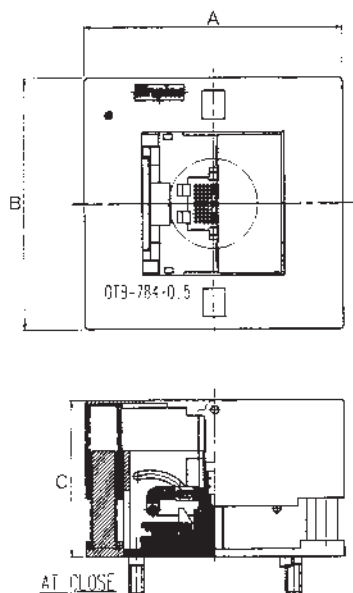
PART NO.	APPLICABLE IC DIMENSIONS (REF.)				OUTSIDE DIMENSIONS (REF.)			REMARKS	
	BODY SIZE	GRID	ROW/ARRAY	LEADS NUMBER	PITCH	A	B		C
OTB-196(576PG)-0.65-18	10×10	14	Fully Array	196	0.65	38.5	40	20.5	
OTB-256(576PG)-0.65-26	11×11	16	Fully Array	256					
OTB-261(576PG)-0.65-11	12×12	17	Depopulated	261					
OTB-280(576PG)-0.65-15	13×13	19	Depopulated	280					
OTB-232(576PG)-0.65-08	14×14	20	Depopulated	232					
OTB-228(576PG)-0.65-10	15×15	22	Depopulated	228					

-Max.16×16mm Package can be accommodated

Applicable IC/BGA

Open Top Surface Mount Type Socket

OTB-784PG-0.5/BIS series



OTB-784PG SERIES (0.5mm PITCH)

Unit : mm

PART NO.	APPLICABLE IC DIMENSIONS (REF.)					OUTSIDE DIMENSIONS (REF.)			REMARKS
	BODY SIZE	GRID	ROW/ARRAY	LEADS NUMBER	PITCH	A	B	C	
OTB-49(784PG)-0.5-130	4×4	7	Fully Array	49	0.5	33	32	20.5	
OTB-61(784PG)-0.5-32	5×5	8	Fully Array	61					
OTB-80(784PG)-0.5-27	5×5	9	Depopulated	80					
OTB-56(784PG)-0.5-06	6×6	10	Depopulated	56					
OTB-120(784PG)-0.5-22	6×6	11	Fully Array	120					
OTB-109(784PG)-0.5-24	7×7	12	Depopulated	109					
OTB-88(784PG)-0.5-40	7×7	13	Depopulated	88					
OTB-160(784PG)-0.5-71	8×8	14	Depopulated	160					
OTB-131(784PG)-0.5-43	8×8	15	Depopulated	131					
OTB-256(784PG)-0.5-64	9×9	16	Fully Array	256					
OTB-226(784PG)-0.5-116	9×9	17	Depopulated	226					
OTB-225(784PG)-0.5-30	10×10	18	Depopulated	225					
OTB-247(784PG)-0.5-39	10×10	19	Depopulated	247					
OTB-289(784PG)-0.5-115	11×11	20	Depopulated	289					
OTB-280(784PG)-0.5-95	11×11	21	Depopulated	280					
OTB-272(784PG)-0.5-41	12×12	22	Depopulated	272					
OTB-321(784PG)-0.5-09	12×12	23	Depopulated	321					
OTB-356(784PG)-0.5-31	13×13	24	Depopulated	356					
OTB-417(784PG)-0.5-27	13×13	25	Depopulated	417					
OTB-456(784PG)-0.5-35	14×14	26	Depopulated	456					
OTB-484(784PG)-0.5-142	14×14	27	Depopulated	484					
OTB-432(784PG)-0.5-32	15×15	28	Depopulated	432					

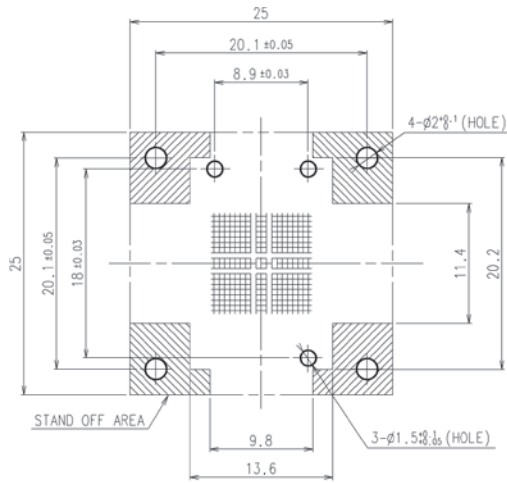
-Max.15×15mm Package can be accommodated

OTB-784BG SERIES (0.5mm PITCH) — Bypass Type —

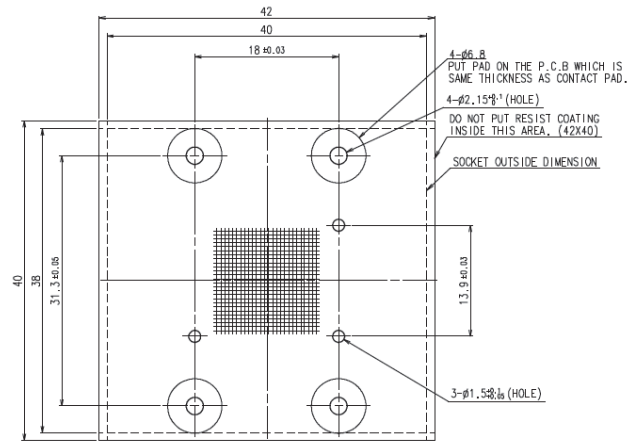
Unit : mm

PART NO.	APPLICABLE IC DIMENSIONS (REF.)					OUTSIDE DIMENSIONS (REF.)			REMARKS
	BODY SIZE	GRID	ROW/ARRAY	LEADS NUMBER	PITCH	A	B	C	
OTB-105(784BG)-0.5-008	6×6	11×11	Depopulated	105	0.5	33	32	21.1	
OTB-133(784BG)-0.5-03	8×8	14×14	Depopulated	133					
OTB-226(784BG)-0.5-02	9×9	17×17	Depopulated	226					
OTB-284(784BG)-0.5-017	10×10	19×19	Depopulated	284					
OTB-272(784BG)-0.5-01	12×12	22×22	Depopulated	272					
OTB-424(784BG)-0.5-006	12×12	23×23	Depopulated	424					

-Max.15×15mm Package can be accommodated



OTB-361PS



OTB-784PA

PCB PATTERN

OTB-361PS SERIES (0.5mm PITCH) — Shrink Type —

Unit : mm

PART NO.	APPLICABLE IC DIMENSIONS (REF.)					OUTSIDE DIMENSIONS (REF.)			REMARKS
	BODY SIZE	GRID	ROW/ARRAY	LEADS NUMBER	PITCH	A	B	C	
OTB-25(361PS)-0.5-008	3×3	5	Fully Array	25	0.5	25	25	19.5	
OTB-49(361PS)-0.5-013	4×4	7	Fully Array	49					
OTB-81(361PS)-0.5-04	5×5	9	Fully Array	81					
OTB-97(361PS)-0.5-014	6×6	11	Depopulated	97					
OTB-144(361PS)-0.5-018	7×7	12	Fully Array	144					
OTB-137(361PS)-0.5-03	7×7	13	Depopulated	137					
OTB-96(361PS)-0.5-023	8×8	12	Depopulated	96					
OTB-196(361PS)-0.5-009	8×8	14	Fully Array	196					
OTB-201(361PS)-0.5-020	9×9	15	Depopulated	201					
OTB-216(361PS)-0.5-02	9×9	17	Depopulated	216					

-Max.10×10mmPackage can be accommodated

OTB-551PG SERIES (0.5mm PITCH)

Unit : mm

	APPLICABLE IC DIMENSIONS (REF.)					OUTSIDE DIMENSIONS (REF.)			REMARKS
	BODY SIZE	GRID	ROW/ARRAY	LEADS NUMBER	PITCH	A	B	C	
OTB-173(551PG)-0.5-01	10×10	17	Depopulated	173	0.5	31.8	27	20.5	

-Max.10×10mmPackage can be accommodated

OTB-784PA SERIES (0.5mm PITCH) — Full Coverage Type —

Unit : mm

PART NO.	APPLICABLE IC DIMENSIONS (REF.)					OUTSIDE DIMENSIONS (REF.)			REMARKS
	BODY SIZE	GRID	ROW/ARRAY	LEADS NUMBER	PITCH	A	B	C	
OTB-392(784PA)-0.5-012	12×12	23	Depopulated	392	0.5	40	38	21	
OTB-465(784PA)-0.5-010	13×13	24	Depopulated	465					
OTB-457(784PA)-0.5-05	13×13	25	Depopulated	457					
OTB-529(784PA)-0.5-08	14×14	26	Depopulated	529					
OTB-729(784PA)-0.5-*	14×14	27	Fully Array	729					

-Min.11×11mm -Max.15×15mmPackage can be accommodated

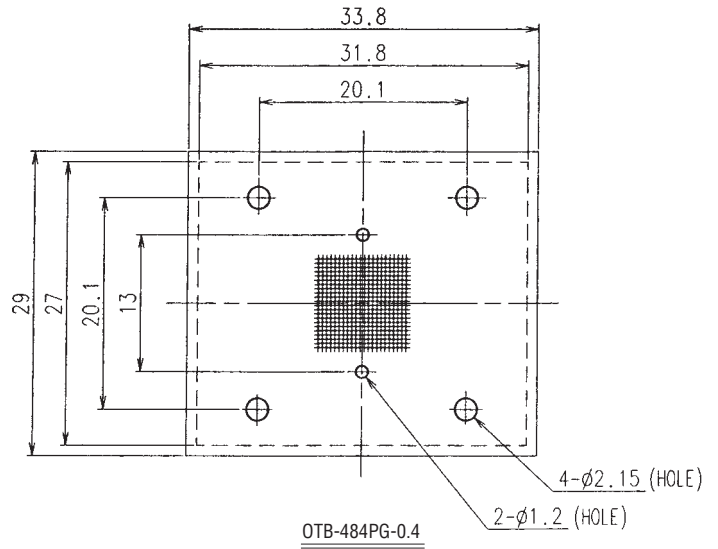
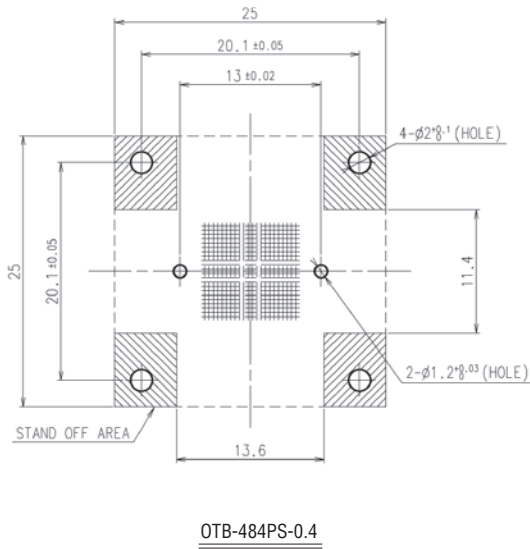
OTB-1521PA SERIES (0.5mm PITCH) — Full Coverage Type —

Unit : mm

	APPLICABLE IC DIMENSIONS (REF.)					OUTSIDE DIMENSIONS (REF.)			REMARKS
	BODY SIZE	GRID	ROW/ARRAY	LEADS NUMBER	PITCH	A	B	C	
OTB-745(1521PA)-0.5-001	20×20	39	Depopulated	745	0.5	58	52	21	

-Max.20×20mmPackage can be accommodated

Applicable IC/BGA Open Top Surface Mount Type Socket



PCB PATTERN

OTB-484PS SERIES (0.4mm PITCH) — Shrink Type —

Unit : mm

PART NO.	APPLICABLE IC DIMENSIONS (REF.)					OUTSIDE DIMENSIONS (REF.)			REMARKS
	BODY SIZE	GRID	ROW/ARRAY	LEADS NUMBER	PITCH	A	B	C	
OTB-64(484PS)-0.4-013	4×4	8	Fully Array	64	0.4	25	25	19.5	
OTB-97(484PS)-0.4-08	5×5	10	Depopulated	97					
OTB-141(484PS)-0.4-07	6×6	12	Depopulated	141					
OTB-161(484PS)-0.4-10	6×6	13	Depopulated	161					
OTB-201(484PS)-0.4-018	7×7	15	Depopulated	201					
OTB-209(484PS)-0.4-02	7×7	16	Depopulated	209					
OTB-244(484PS)-0.4-05	8×8	18	Depopulated	244					
OTB-224(484PS)-0.4-06	8×8	19	Depopulated	224					

-Max.10×10mmPackage can be accommodated

OTB-484PG SERIES (0.4mm PITCH)

Unit : mm

PART NO.	APPLICABLE IC DIMENSIONS (REF.)					OUTSIDE DIMENSIONS (REF.)			REMARKS
	BODY SIZE	GRID	ROW/ARRAY	LEADS NUMBER	PITCH	A	B	C	
OTB-209(484PG)-0.4-04	7×7	16	Depopulated	209	0.4	31.8	27	21	
OTB-244(484PG)-0.4-01	8×8	18	Depopulated	244					

-Max.10×10mmPackage can be accommodated

OTB-484BPS SERIES (0.4mm PITCH) — Bypass Type —

Unit : mm

PART NO.	APPLICABLE IC DIMENSIONS (REF.)					OUTSIDE DIMENSIONS (REF.)			REMARKS
	BODY SIZE	GRID	ROW/ARRAY	LEADS NUMBER	PITCH	A	B	C	
OTB-141(484BPS)-0.4- * *	6×6	13	Depopulated	141	0.4	25	25	19.9	